

BIOROLES®



BTP-02

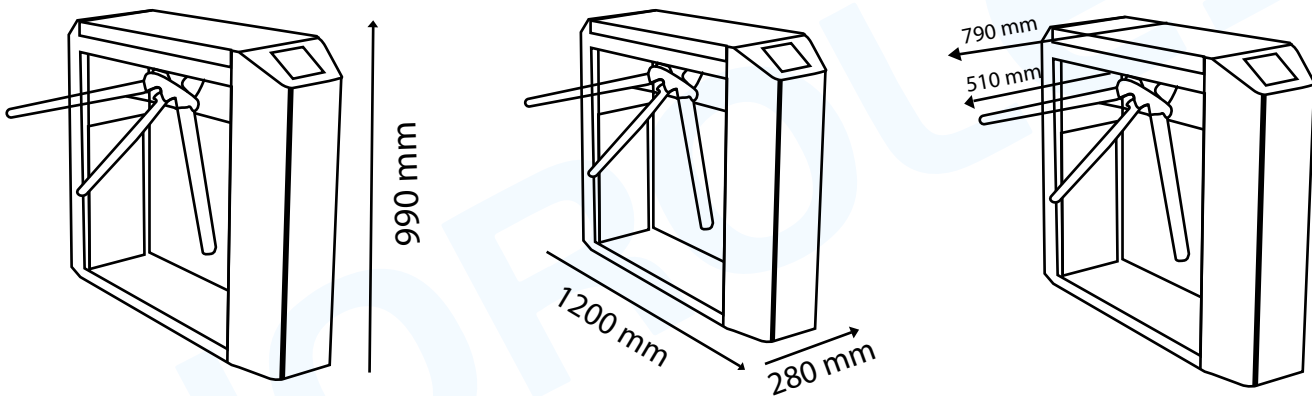
Bridge Type Tripod Turnstile

BTP-02

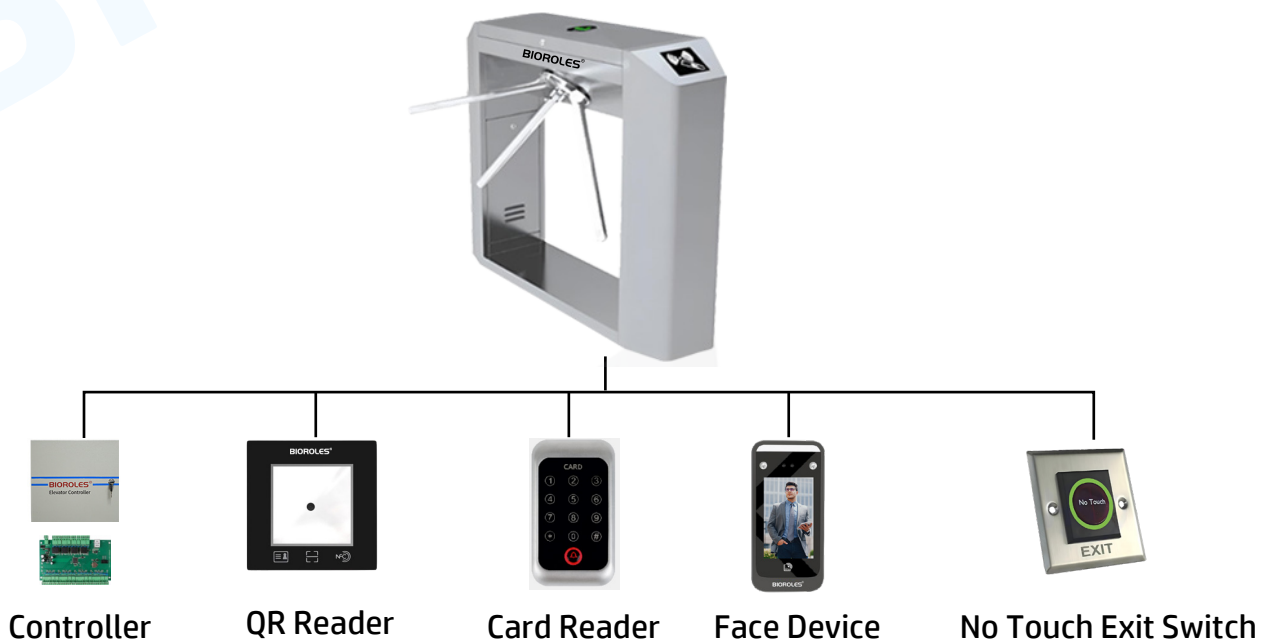
Features :

- Semi/Fully Automatic Mechanism
- Bidirectional/Single Directional
- Vertical-type and 304 stainless housing with drop-off Arm
- Traffic Light/Pass Indicator

Dimension :



Related Products :



**Specification :**

Unlock Method	:	Face, Finger, Card, QR
Transit Speed	:	30 Person
Size	:	1200x350x900mm
Drive Motor	:	24V
Life Cycle	:	9 Million Times
Passage Width	:	550 mm
Protection Level	:	IP55
Working Environment	:	Indoor/Outdoor (If Roofed)
Operating Temperature	:	25 C to 70 C

